



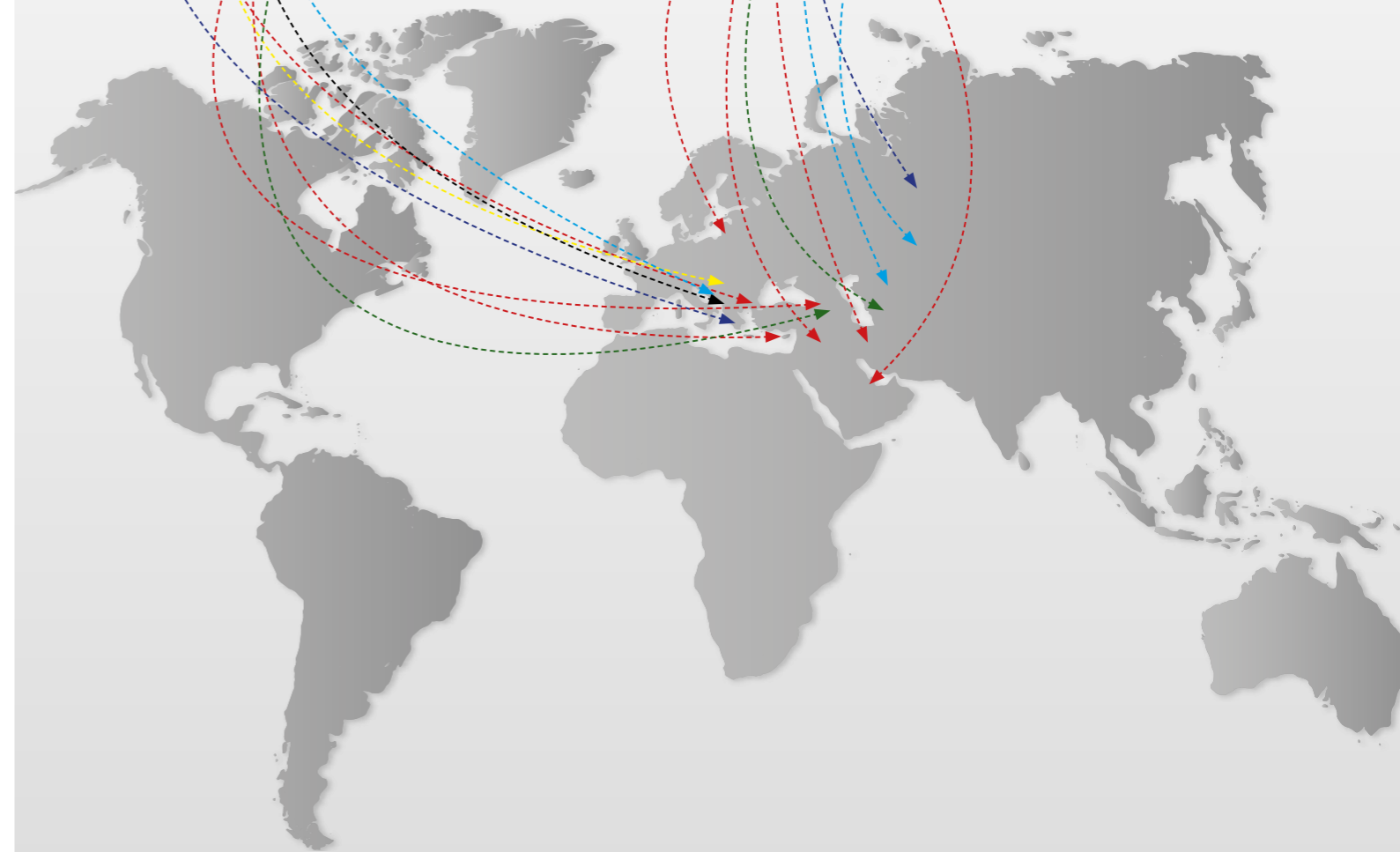
METAS
GREENHOUSES





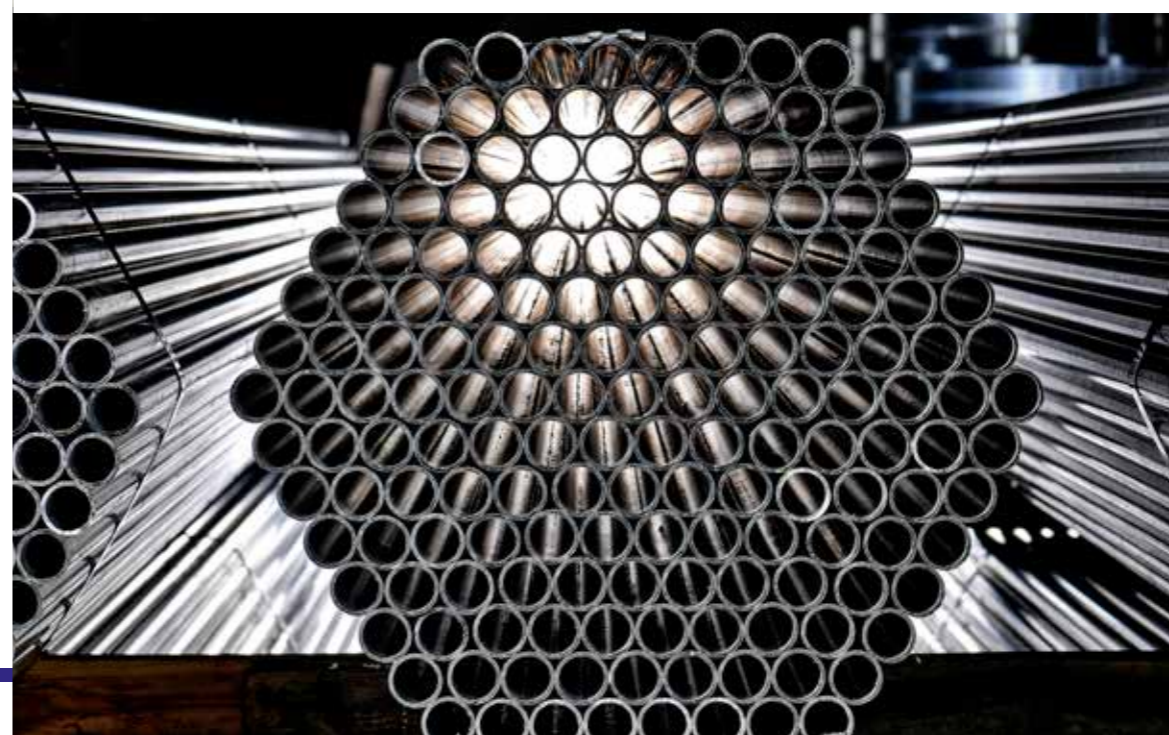
EXPORT COUNTRIES

- Greece
- Bulgaria
- Romania
- North Macedonia
- Kosovo
- Cyprus
- Georgia
- Azerbaijan
- Iran
- Iraq
- Turkmenistan
- Uzbekistan
- Russia
- Lithuania
- Kazakhstan
- Qatar



ABOUT US

- Our business that was started in 1983 continued with greenhouse production under the commercial name TASCIOGLU SERACILIK in 1994. Initially, our production was consisting of wood and pipe profiles.
- Considering the requirements of our customers, we have adopted to apply the best appropriate to the current needs in the market thus a distinctive model that is made of metal completely with clip was born as a result of our extensive technical works in 1996.
- We particularly served the national government offices by supplying the greenhouses of 240-336 m2 mostly in all over the country between 1993 and 2002.
- We have added the combined greenhouses into our product range after 2002. Besides the production of the professional plants, our company continued to import some accessories to improve the current greenhouses in our country.
- We have noticed that the unique designs can only be achieved by METAS SERACILIK PROFİL LTD. ŞTİ thus we as the company started to produce the unique designs in greenhouse productions.
- We keep on rendering services in green housing sector in scope of our productions of 174 products in total as developed as a result of extensive R&D Research and field works. METAS SERACILIK GREENHOUSES became the name wanted through its both overseas and domestic sales and productions. We currently export to 17 countries.
- Our main goal and commitment is to provide our customers with the highest level of value-added services, with the same enthusiasm from the past to the future, with our long years of experience within the scope of comprehensive R&D studies.



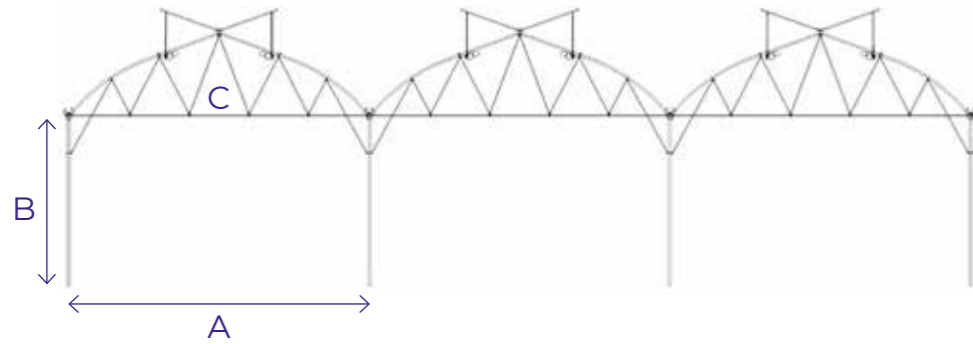
PRODUCTION

- 5.000 m² Production area
- Production capacity of 120 tons/day
- 650 ha/year greenhouse production capacity
- 10 profile drawing lines
(one welded pipe/section drawing machine)
- The entire construction is produced in our own factory
- All products are produced by using galvanized steel materials
- Any desired thickness of galvanized material can be made
- More than 40 technical employees

GOTHIC GREENHOUSES



Easy going and universal structures suitable to different geographical regions



Tunnel Width (m)	Height (m)	Number of Meshes	Between Shears (m)
A	B	C	D
6,40	"Minimum: 2,00 m Maksimum: 4,00 m"	4	2,50 / 3,00
7,00	"Minimum: 2,00 m Maksimum: 4,00 m"	6	2,50 / 3,00
8,00	"Minimum: 2,50 m Maksimum: 4,50 m"	6	2,50 / 3,00
9,00	"Minimum: 3,00 m Maksimum: 6,00 m"	8	2,50 / 3,00
9,60	"Minimum: 3,00 m Maksimum: 6,00 m"	10	2,50 / 3,00
10,00	"Minimum: 3,00 m Maksimum: 6,50 m"	10	2,50 / 3,00
12,80	"Minimum: 3,00 m Maksimum: 6,00 m"	12	2,50 / 3,00

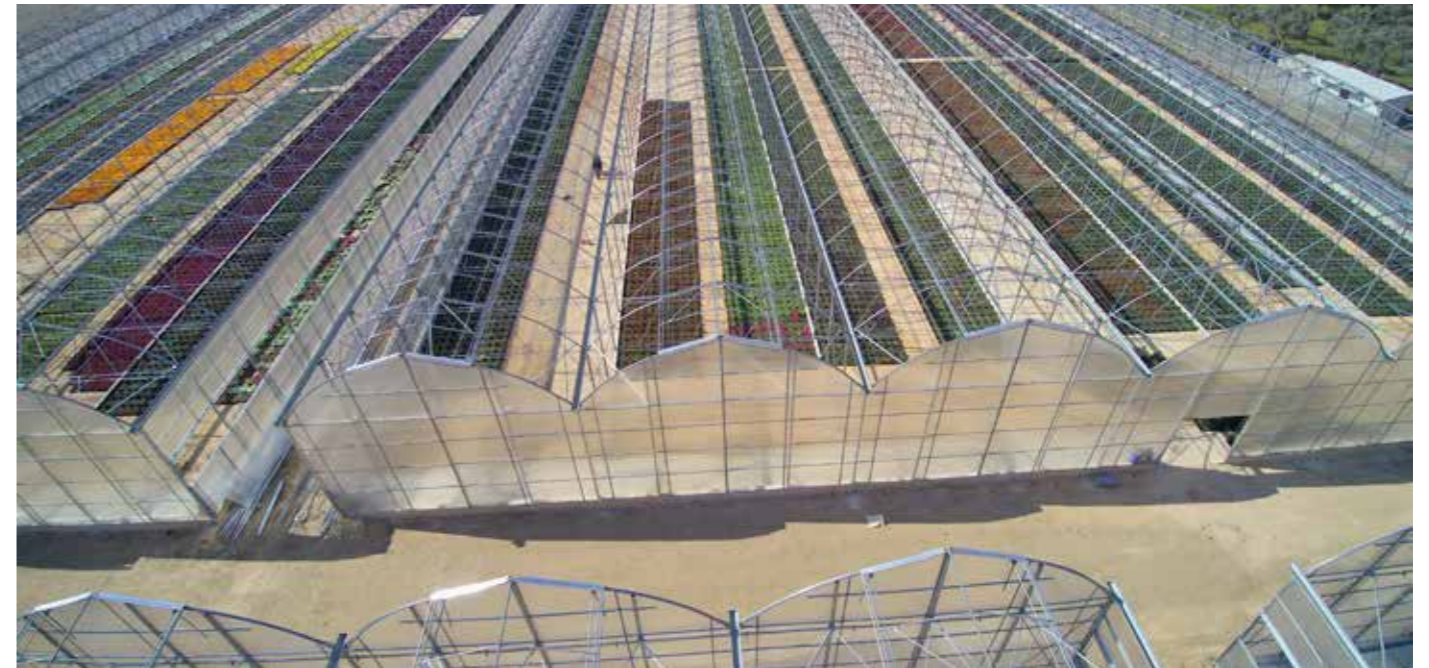
It provides easy assembly and strong construction with its weldless, demountable design

Maximum internal production volume and usage area

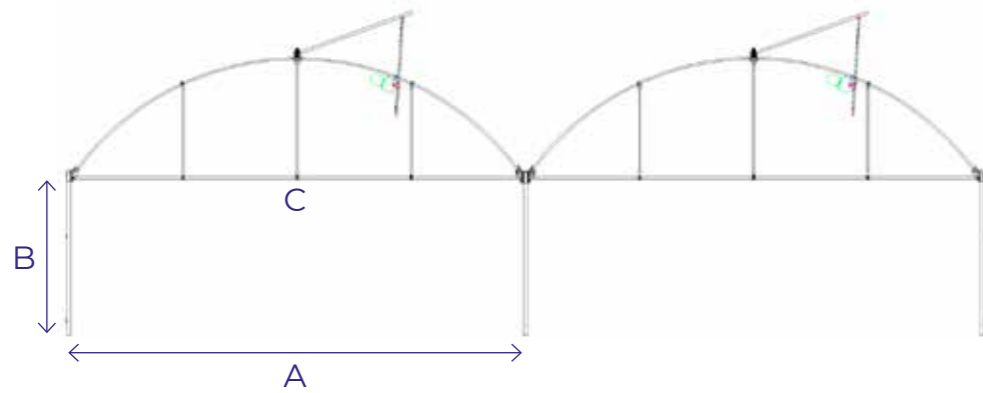
Provides maximum benefit from sunlight

A structure compatible with very different geographical regions thanks to its steep ridge structure

Adaptation of ventilation mechanism in desired amount and conditions



CURVED ROOF GREENHOUSES



Tunnel Width (m)	Height (m)	Number of Meshes	Between Shears (m)
A	B	C	D
6,00	"Minimum: 2,00 m Maksimum: 4,00 m"	3	2,50 / 3,00
6,40	"Minimum: 2,50 m Maksimum: 4,50 m"	3	2,50 / 3,00
7,00	"Minimum: 3,00 m Maksimum: 6,00 m"	4	2,50 / 3,00

”

It provides easy assembly and strong construction with its weldless, demountable design

Maximum internal production volume and usage area

Low investment cost with light and strong skeleton

Especially suitable to produce green plants

Simple and fast installation

It can be installed as a single tunnel or multiple combined tunnels

Slotted or non-grooved installation is possible

“



PLAIN MESH ROOF GREENHOUSES

Suitable for
all terrain
types

**DESIGN THAT
REFERENCES THE
SLOPE OF THE LAND**

It provides easy assembly and strong construction with its weldless, demountable design

Maximum internal production volume and usage area

Full adaptation to steep and sloping lands with its flat sloping roof structure

Minimizing land leveling costs

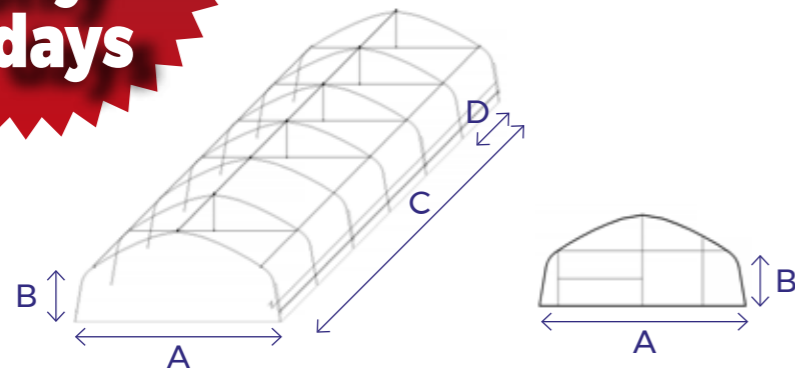
Possibility of arranging parcels with terracing method on sloping lands



TUNNEL GREENHOUSES



**Easy
setup in
only
4 days**



Tunnel Width (m)	Height (m)	Tunnel Length (m)	Between Shears (m)
A	B	C	D
4,00	2,60	"Minimum: 6 m Maksimum: 30 m"	2,00 / 2,50 / 3,00
5,00	2,95	"Minimum: 6 m Maksimum: 40 m"	2,00 / 2,50 / 3,00
6,00	3,20	"Minimum: 10 m Maksimum: 60 m"	2,00 / 2,50 / 3,00
7,00	3,45	"Minimum: 10 m Maksimum: 60 m"	2,00 / 2,50 / 3,00
8,00	3,70	"Minimum: 10 m Maksimum: 60 m"	2,00 / 2,50 / 3,00
9,00	3,95	"Minimum: 10 m Maksimum: 60 m"	2,00 / 2,50 / 3,00
10,00	4,10	"Minimum: 10 m Maksimum: 60 m"	2,00 / 2,50 / 3,00

HOBBY GREENHOUSES



**Easy
setup in
only
1 day**

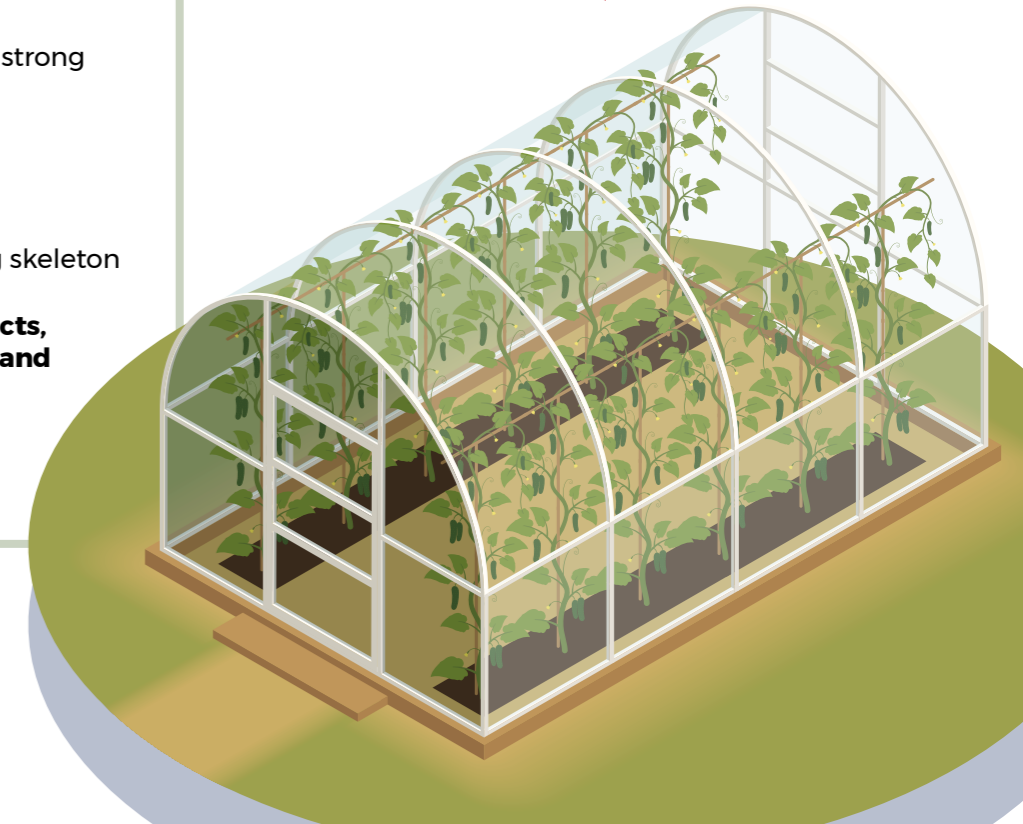
“ It provides easy assembly and strong construction with its weldless, demountable design

Ideal use for small gardens

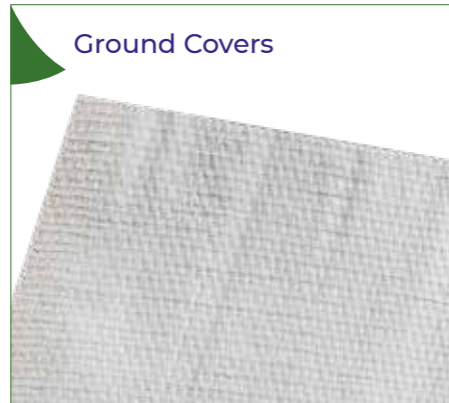
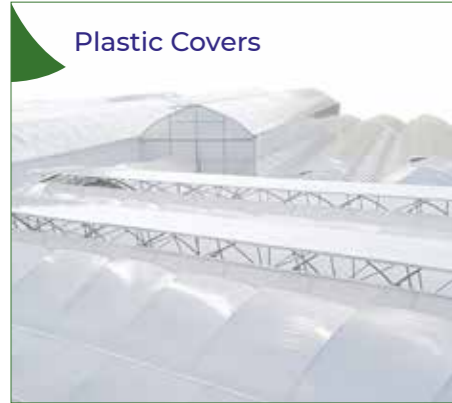
Low cost with light and strong skeleton

Suitable for landscape products, hobby vegetable production and ornamental plants

Simple and fast installation



OPTIONAL EQUIPMENTS AND ACCESSORIES





+90 532 665 67 35
+90 507 483 81 05



METAS GREENHOUSES

10005 Sk. İTOB Organize Sanayi Bölgesi No:35
Tekeli - Menderes /İZMİR TURKEY

Phone:

+90 232 782 35 07

Fax:

+90 232 782 35 08

New Zealand & Australia Phone:

+64 21 706047

info@metastarim.com.tr www.metastarim.com.tr